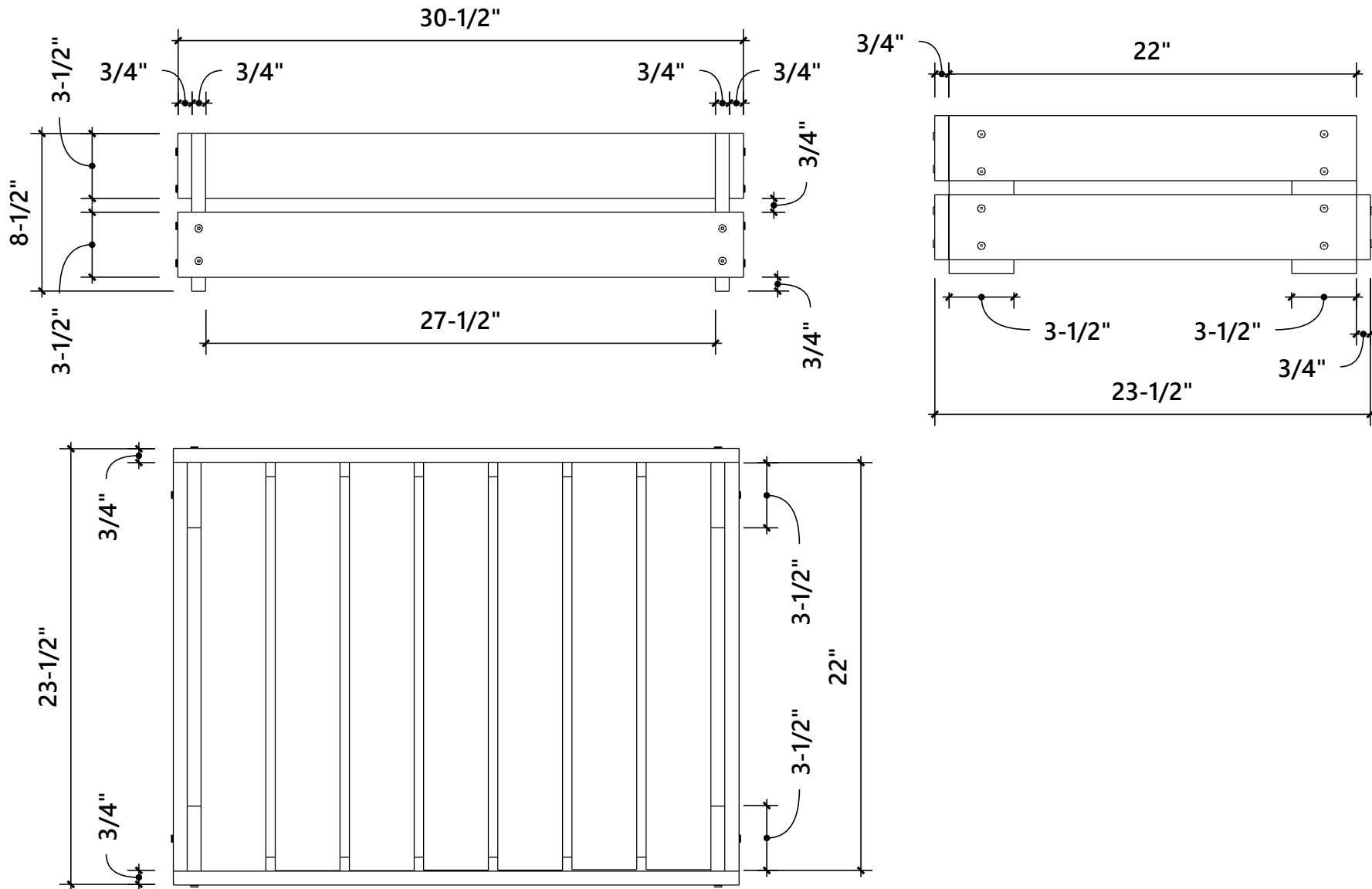
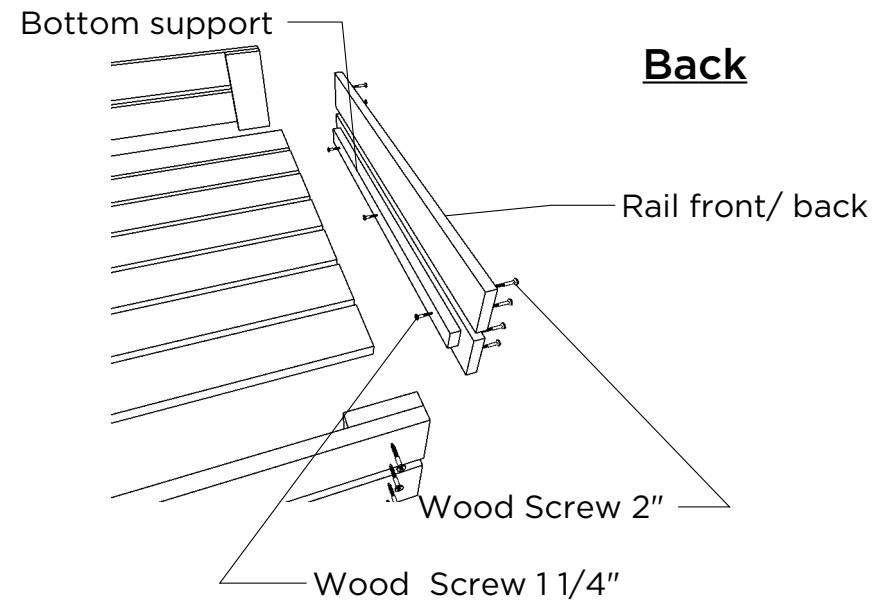
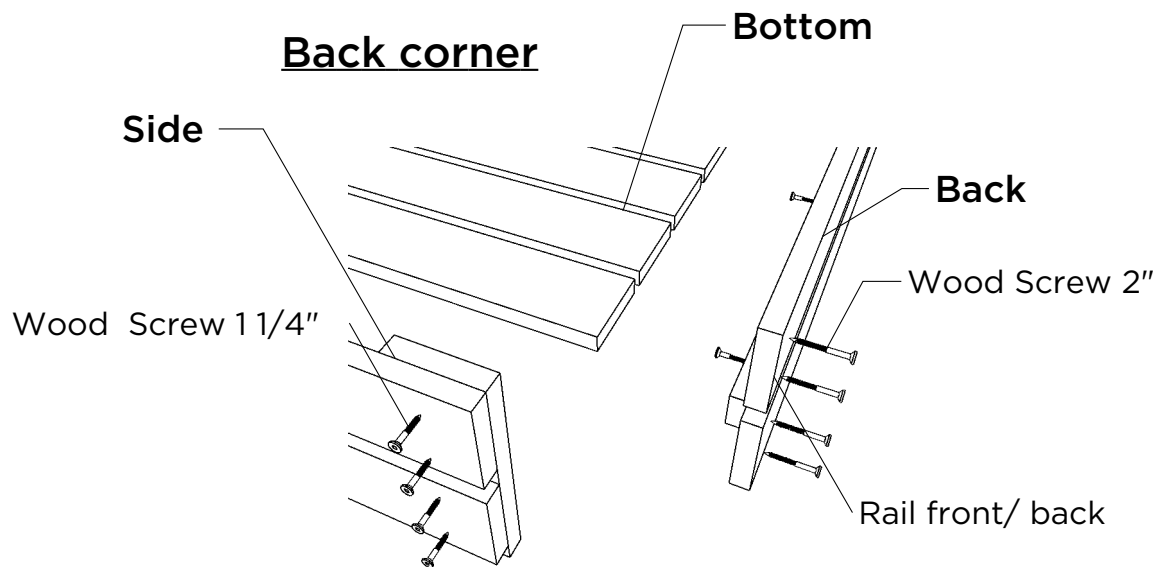
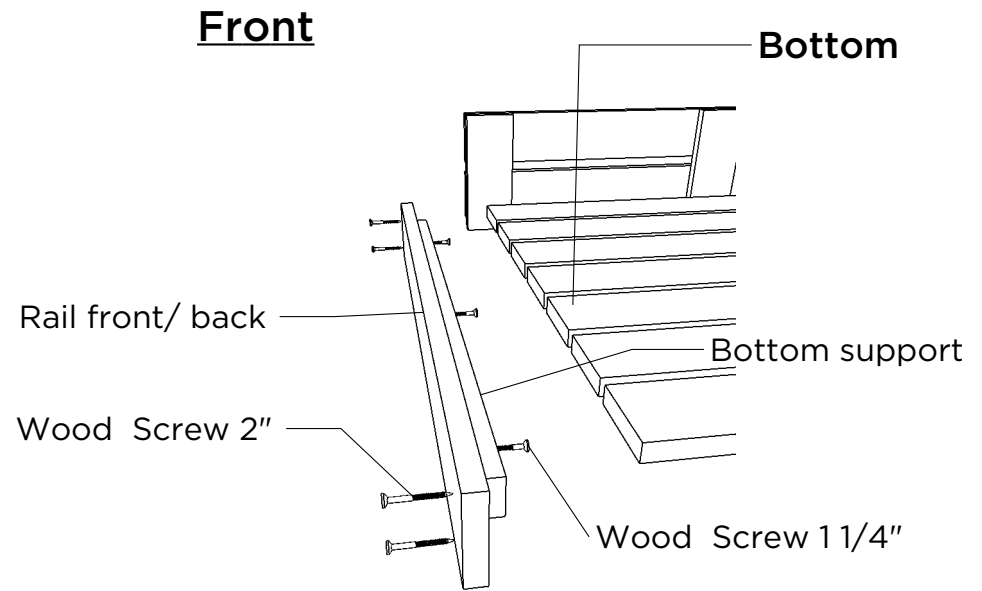
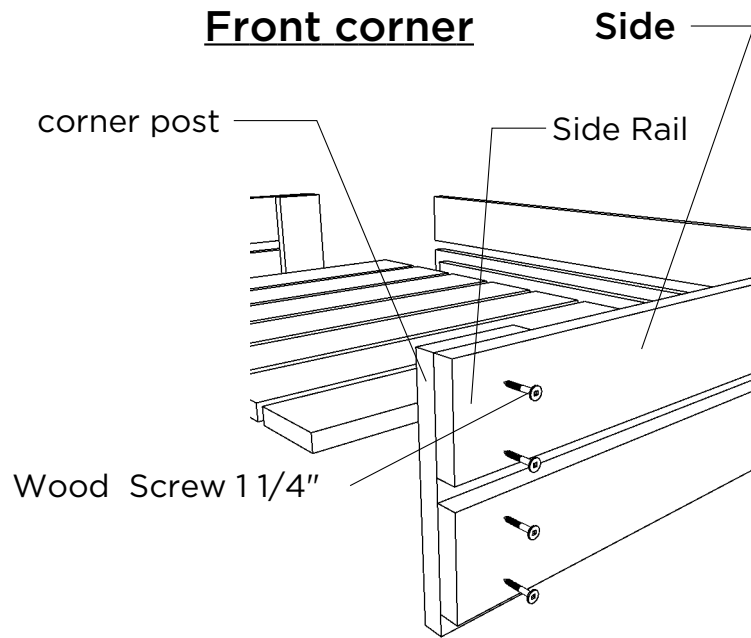


# Pet Bed

main views





## Suggestions:

1.	Cut bed parts and sand smooth with 120-150 sandpaper.
2.	Center and attach the bottom support to the front and back rails. 3/4 from the top and in the middle of the width. Use 1 1/4" wood screws.
3.	Attach the side rails to the corner posts. Make distance 3/4 on one side of the post and 3/4 after the lower rail. Use 1 1/4" wood screws.
4.	Make pilot holes in the front and back rails. Assemble two box sides with front and back lower rails. Hold with clamps. Use 2" wood screws.
5.	Attach the upper back rail to the corner posts. Use 2" wood screws.
6.	Attach bottom rails with wood glue and nails to the bottom supports.
7.	Paint or stain.

Main Materials				Hardware and other		
Soft wood	Qty	Dimensions (Inch)	Thickness		Qty	
				wood glue	1	
Rail Front / Back	3	30-1/2 x 3-1/2	3/4	wood stain	1	
Side Rail	4	22 x 3-1/2	3/4	wood paint	1	
Bottom Rail	7	22 x 3-1/2	3/4	wood filler	1	
Corner Post	4	8-1/2x 3-1/2	3/4	sandpaper 80	1	
Bottom Support	2	27 1/2 x 1-1/2	3/4	sandpaper 150	1	
				wood screws	1 pac	1-1/4"
				wood screws	1 pac	2 "
				finish nails	1	1-1/4 Inch 16 Gauge Finish Nail

TOOLS	
Circular Saw	Nail Gun
Drill	
Clamps	
Sander	

NOTE: The dimensions listed here are finished dimensions. Extra length and thickness should be added when calculating the material needed.  
\*\*Every effort was made to provide accurate dimensions. Verify all dimensions before cutting.\*\*